

# PANBETON®

## TECHNICAL DATA SHEET

Panbeton® is a unique technology of ultra-lightweight concrete cladding. These slabs are quick and easy to install. It is the ideal covering to dress up a space with concrete. A large lightweight and easy to cut slab.

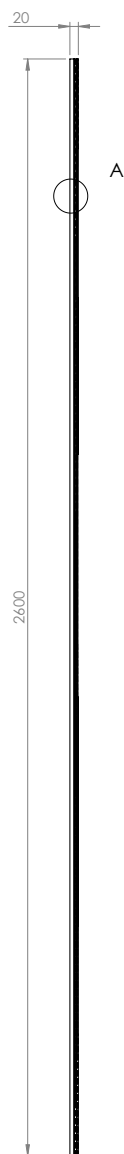
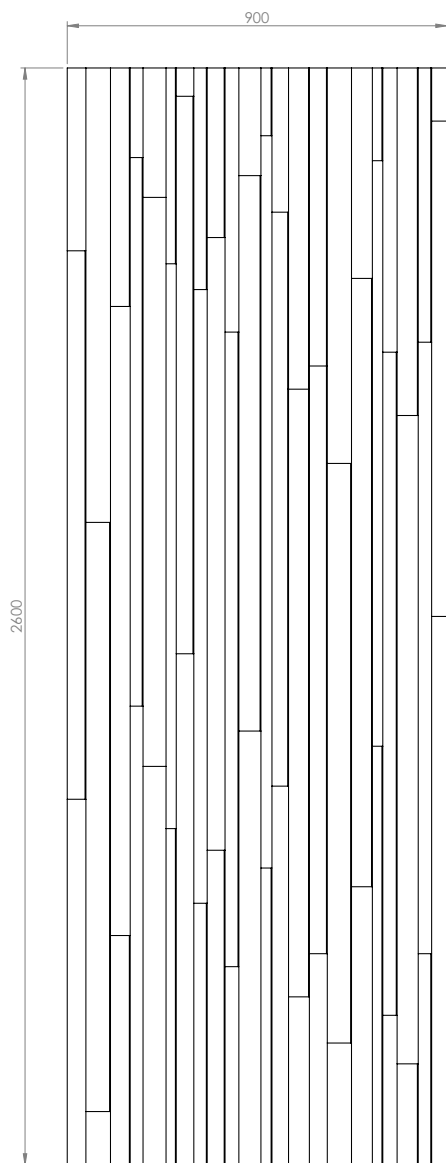
- 
- Front made of genuine raw concrete
  - A simple attachment system
  - Quick installation with little handling
  - Endless customisation possibilities



**SLATS**  
JEAN-MARIE MASSAUD

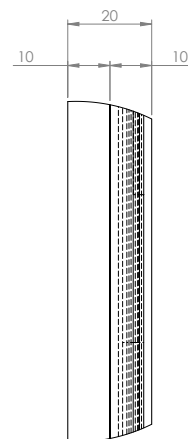
**Available dimensions :**  
2600 x 900 mm  
3500 x 900 mm

# PANBETON® SLATS



DÉTAIL A  
ECHELLE 1 : 1

DETAIL A  
SCALE 1 : 1



Dimensions according to model  
2600 x 900 mm



Orthogonality  
+/- 1.0%



Thickness according to model  
15 mm to 20 mm



Weight  
35 Kg



Surface area  
+/- 1.0%



Mounting  
Bonding



Fire resistance  
Euroclass B-s1, d0 // ASTM  
E84 : Class A / Smoke index :  
0 / Flame spread index : 0



Freezing and thawing  
Stable

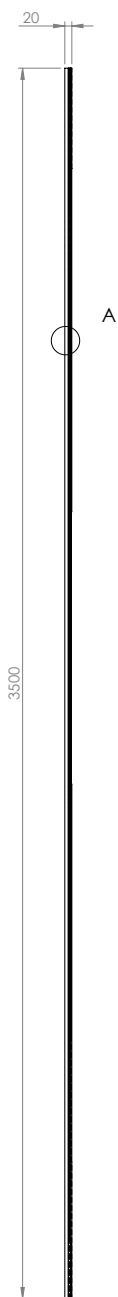
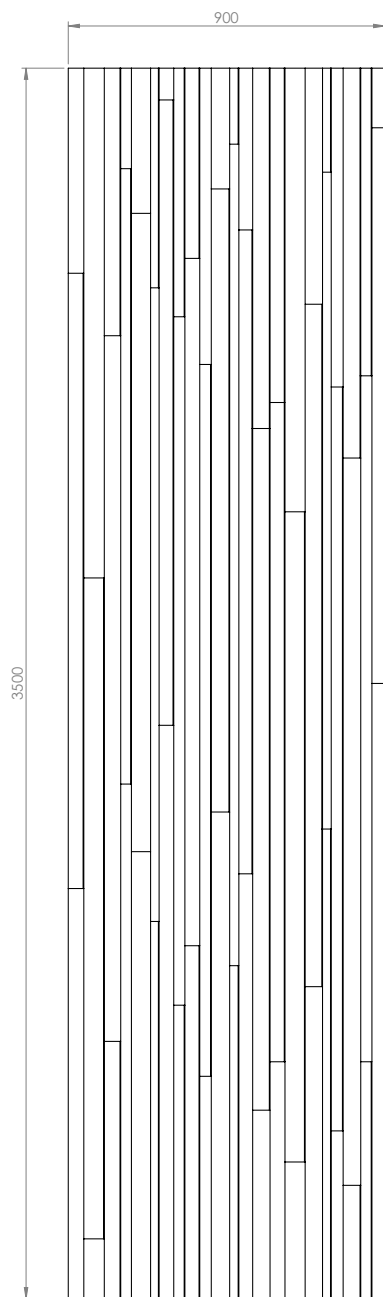


Thermal shock  
Resistant



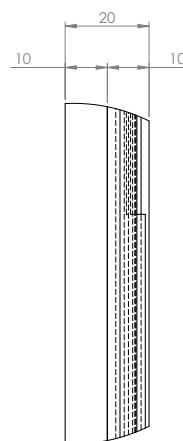
Light resistance  
No impact

# PANBETON® SLATS



DÉTAIL A  
ECHELLE 1 : 1

DETAIL A  
SCALE 1 : 1



Dimensions according to model  
3500 x 900 mm



Orthogonality  
+/- 1.0 %



Thickness according to model  
15 mm to 20 mm



Weight  
45 Kg



Surface area  
+/- 1.0 %



Mounting  
Bonding



Fire resistance  
Euroclass B-s1, d0 // ASTM  
E84 : Class A / Smoke index :  
0 / Flame spread index : 0



Freezing and thawing  
Stable



Thermal shock  
Resistant



Light resistance  
No impact

# PANBETON® COLOUR CHART

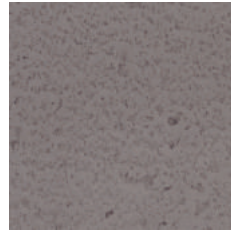
## COLOURS



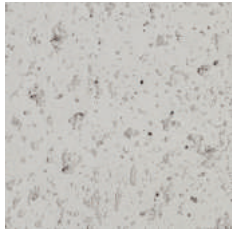
**402** - White



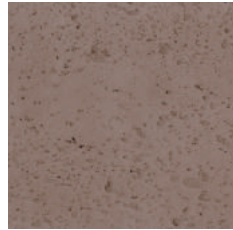
**404** - Stone



**216** - Anthracite grey



**200** - Natural grey



**205** - Brown

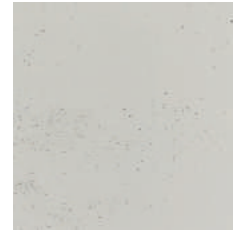


**209** - Black

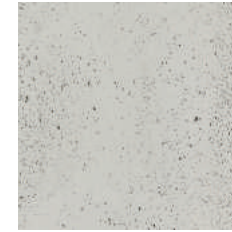


**217** - Slate grey

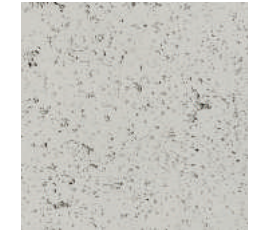
## FINISHES



Light pitted



Medium pitted



Heavy pitted

# PANBETON<sup>®</sup> TECHNICAL DATA

<b>DIMENSIONS</b>	2600 x 900 mm / 3500 x 900 mm
<b>THICKNESS</b>	15 mm to 20 mm
<b>TOTAL WEIGHT</b>	35 Kg /45 Kg
<b>WEIGHT PER M<sup>2</sup></b>	From 11 to 14 kg/m <sup>2</sup>
<b>FIRE CLASSIFICATION</b>	Euroclass B-s1, d0 // ASTM E84 : Class A / Smoke index : 0 / Flame spread index : 0
<b>VOC CLASSIFICATION</b>	A+
<b>EXCLUDED</b>	Exterior and shower stall
<b>COMPOSITION</b>	Fibre-reinforced concrete (5 mm) & construction panel (10 mm)
<b>PROTECTIVE SEALER</b>	As an option (water-borne acrylic base)
<b>FIXING</b>	Gluing – Gluing + Screwing for ceilings
<b>SUBSTRATES</b>	Is glued to all substrates (Plasterboard, bricks, breeze-blocks, etc.)
<b>GLUE</b>	Hybrifix 550 DEN BRAVEN
<b>CUTTING</b>	Diamond blade, mitre, drilling, hole saw and others possible

# PANBETON® SPECIFICATIONS DETAILS

**PRODUCT NAME:** Panbeton® Slats

**COMPANY NAME:** Concrete LCDA

## **TECHNICAL DATA MORTAR:**

- Fibre-Reinforced shrinkage-compensating repair mortal

Non-shrinking mortal composed of sand, special cement, fibres and admixtures.

Compressive strength: Class R2

Chloride ion content: ≤ 0.05%

Bonding: ≥ 0.8 MPa

Reaction to fire: Euroclass B-s1, d0 // ASTM E84 :  
Class A / Smoke index : 0 / Flame spread index : 0

## **TECHNICAL DATA REINFORCED FIBER:**

- High Zirconia 17%+ Alkali Resistant Glass Fibre

## **TECHNICAL DATA CONSTRUCTION PANEL:**

Rigid extruded polystyrene foam finished on both sides with a polymer-modified mortar facing, reinforced with a glassfibre mesh fabric.

**USE THIS ENTIRE DESCRIPTION TO SPECIFY OUR PRODUCTS.**

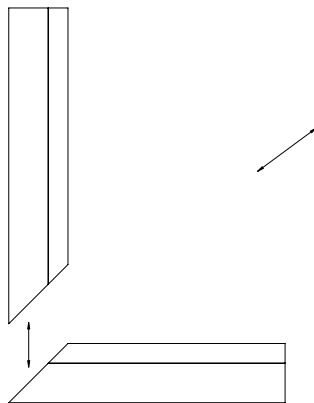
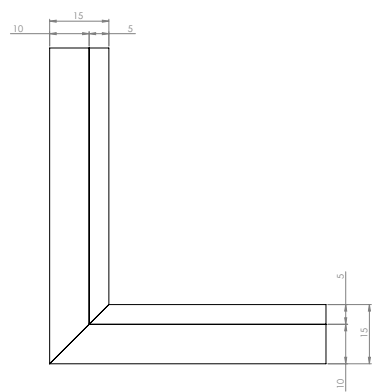
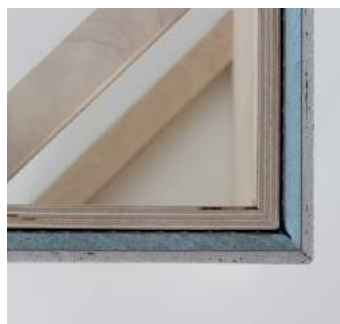


**CONSTRUCTION  
PANEL (10MM)**

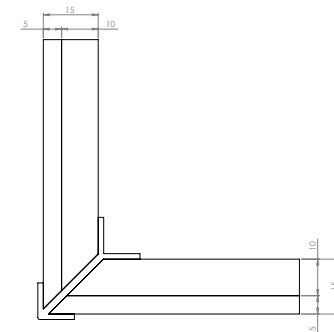
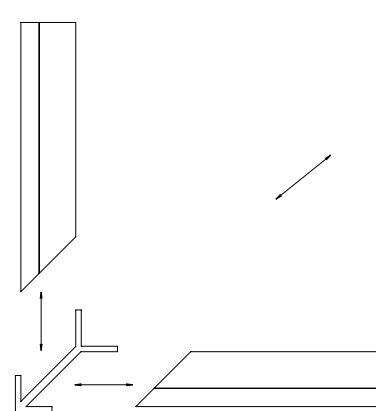
**FIBRE-REINFORCED  
CONCRETE (5MM)**

# PANBETON® CORNER CUTTING

## OUTER CORNER

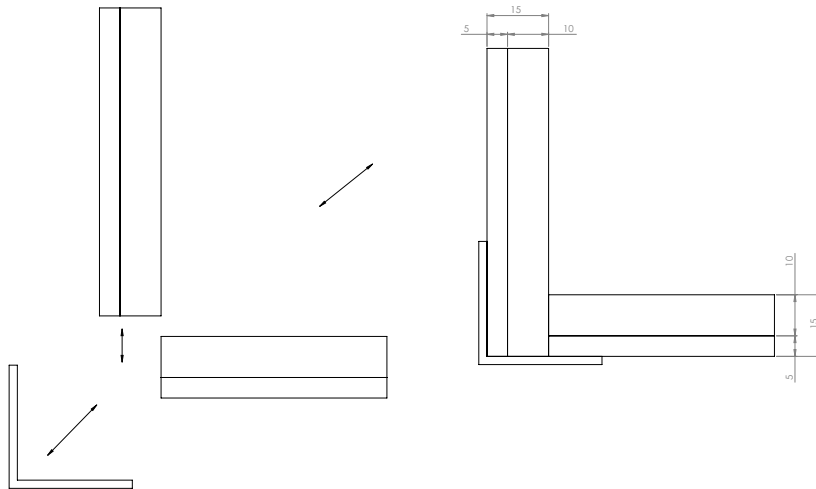


## IRON CORNER

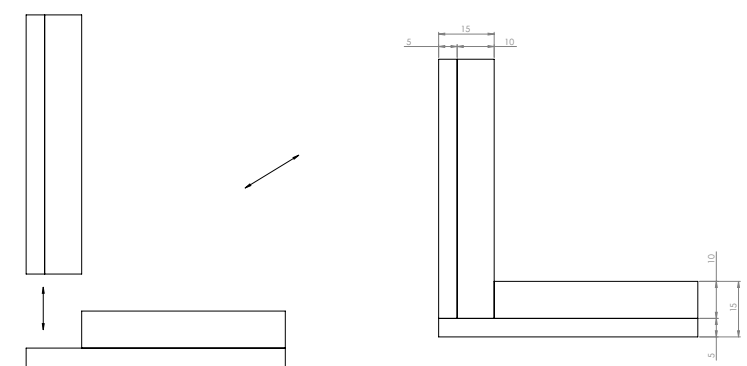


# PANBETON® CORNER CUTTING

## TOP CORNER IRON

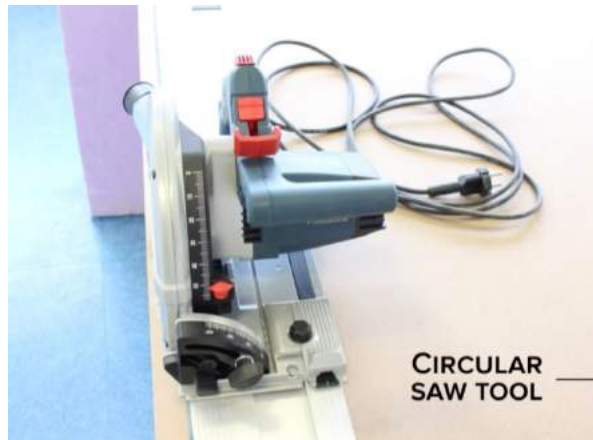


## BOARD TO BOARD JOIN





# PANBETON® INSTALLATION TOOLS



HYBRIFIX-550  
DEN BRAVEN SEALANTS

# PANBETON® INSTALLATION STEPS



1

TAKE WALL MEASUREMENTS BEFORE CUTTING THE PANEL



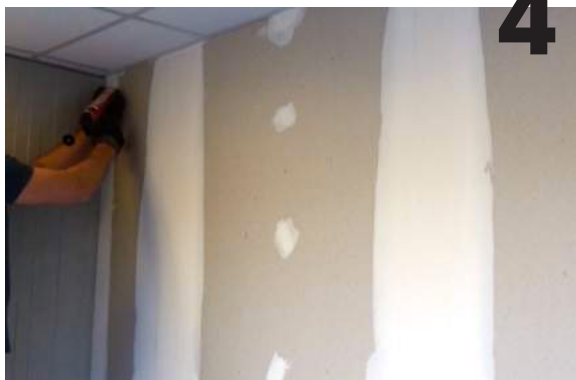
2

COPY YOUR MEASUREMENTS ON THE PANBETON®



3

START CUTTING WITH A PLUNGE-CUT SAW



4

APPLY GLUE ON THE WALL



5

INSTALL THE PANBETON® BY STARTING FROM BOTTOM TO TOP



6

**DO NOT FORGET TO DUST PANELS  
AFTER FINAL INSTALLATION**

CHECK THE ENTIRE VIDEO HERE: [HTTPS://WWW.YOUTUBE.COM/WATCH?V=U-IZ5ocQW-W](https://www.youtube.com/watch?v=U-IZ5ocQW-W)

**CONCRETE LCDA**

## **CONTACT**

**[WWW.CONCRETE-BETON.COM](http://WWW.CONCRETE-BETON.COM)**

**[CONTACT@CONCRETE-BETON.COM](mailto:CONTACT@CONCRETE-BETON.COM)**