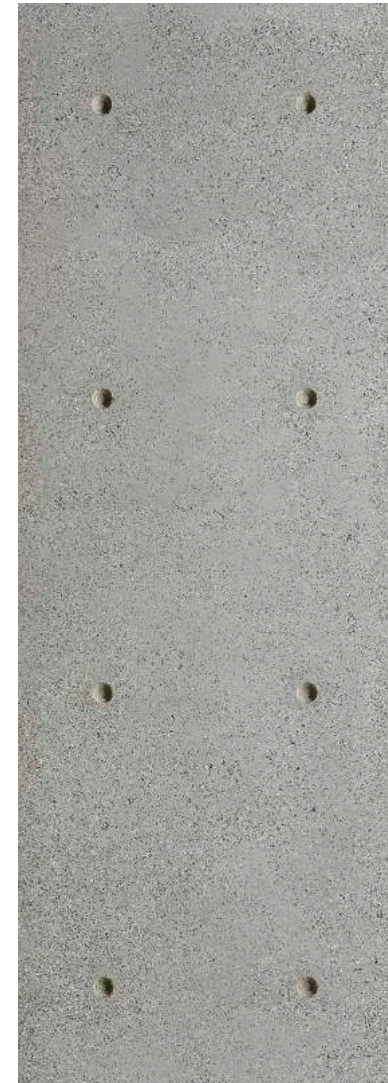


PANBETON®

TECHNICAL DATA SHEET

Panbeton® is a unique technology of ultra-lightweight concrete cladding. These slabs are quick and easy to install. It is the ideal covering to dress up a space with concrete. A large lightweight and easy to cut slab.

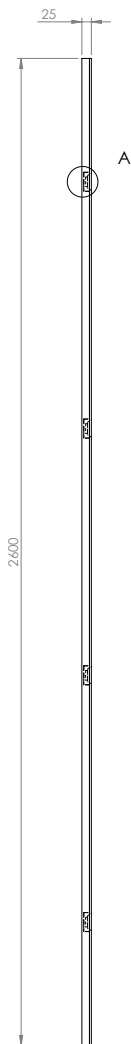
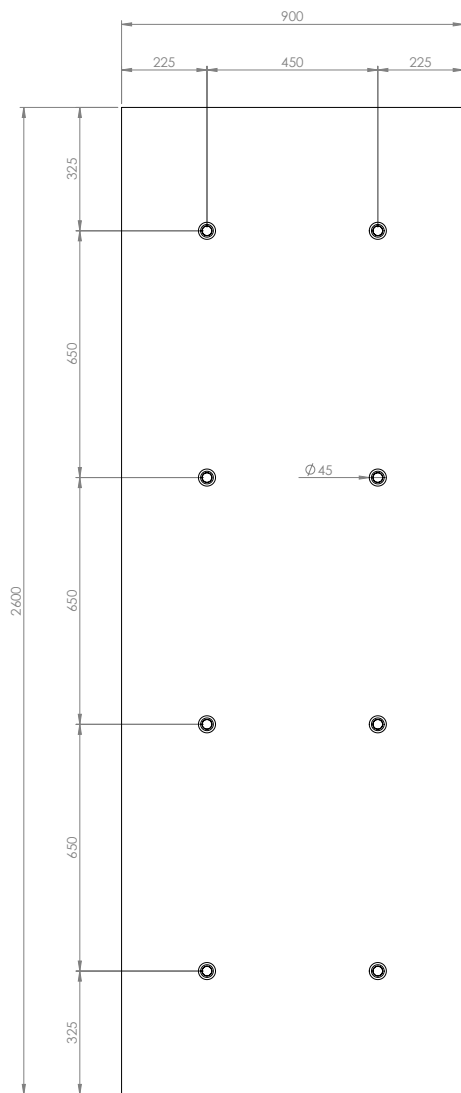
-
- Front made of genuine raw concrete
 - A simple attachment system
 - Quick installation with little handling
 - Endless customisation possibilities



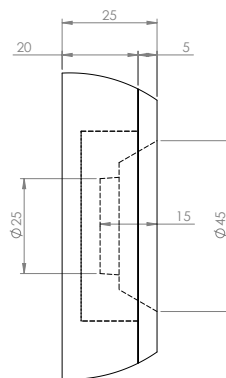
SCAFFOLDED 15MM
MATALI CRASSET

Available dimensions :
2600 x 900 mm

PANBETON® SCAFFOLDED 15MM



SCALE 1:1
DETAIL A



Dimensions *according to model*
2600 x 900 mm



Orthogonality
+/- 1.0%



Thickness *according to model*
15 mm to 20 mm



Weight
30 Kg



Surface area
+/- 1.0%



Mounting
Bonding



Fire resistance
Euroclass B-s1, d0 // ASTM
E84 : Class A / Smoke index :
0 / Flame spread index : 0



Freezing and thawing
Stable



Thermal shock
Resistant



Light resistance
No impact

PANBETON® COLOUR CHART

COLOURS



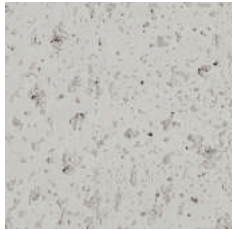
402 - White



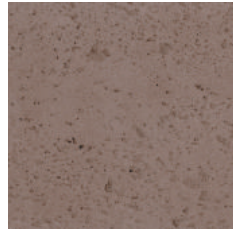
404 - Stone



216 - Anthracite grey



200 - Natural grey



205 - Brown



209 - Black



217 - Slate grey

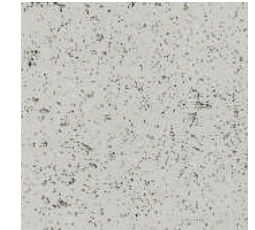
FINISHES



Light pitted



Medium pitted



Heavy pitted

PANBETON[®] TECHNICAL DATA

| | |
|---------------------------------|---|
| DIMENSIONS | 2600 x 900 mm |
| THICKNESS | 15 mm to 20 mm |
| TOTAL WEIGHT | 30 Kg |
| WEIGHT PER M² | From 11 to 14 kg/m ² |
| FIRE CLASSIFICATION | Euroclass B-s1, d0 // ASTM E84 : Class A / Smoke index : 0 / Flame spread index : 0 |
| VOC CLASSIFICATION | A+ |
| EXCLUDED | Exterior and shower stall |
| COMPOSITION | Fibre-reinforced concrete (15 mm) & construction panel (10 mm) |
| PROTECTIVE SEALER | As an option (water-borne acrylic base) |
| FIXING | Gluing – Gluing + Screwing for ceilings |
| SUBSTRATES | Is glued to all substrates (Plasterboard, bricks, breeze-blocks, etc.) |
| GLUE | Hybrifix 550 DEN BRAVEN |
| CUTTING | Diamond blade, mitre, drilling, hole saw and others possible |

PANBETON® SPECIFICATIONS DETAILS

PRODUCT NAME: Panbeton® Scaffolded 15mm

COMPANY NAME: Concrete LCDA

TECHNICAL DATA MORTAR:

- Fibre-Reinforced shrinkage-compensating repair mortal

Non-shrinking mortal composed of sand, special cement, fibres and admixtures.

Compressive strength: Class R2

Chloride ion content: ≤ 0.05%

Bonding: ≥ 0.8 MPa

Reaction to fire: Euroclass B-s1, d0 // ASTM E84 :
Class A / Smoke index : 0 / Flame spread index : 0

TECHNICAL DATA REINFORCED FIBER:

- High Zirconia 17%+ Alkali Resistant Glass Fibre

TECHNICAL DATA CONSTRUCTION PANEL:

Rigid extruded polystyrene foam finished on both sides with a polymer-modified mortar facing, reinforced with a glassfibre mesh fabric.

USE THIS ENTIRE DESCRIPTION TO SPECIFY OUR PRODUCTS.

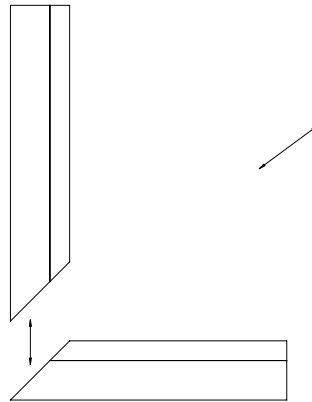
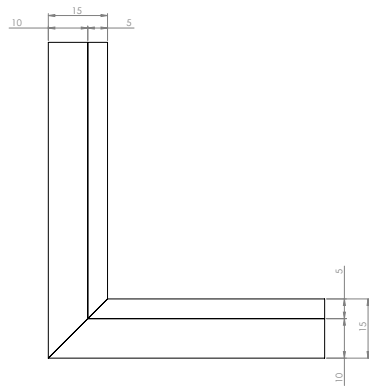


**CONSTRUCTION
PANEL (10MM)**

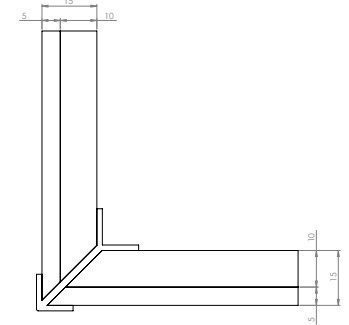
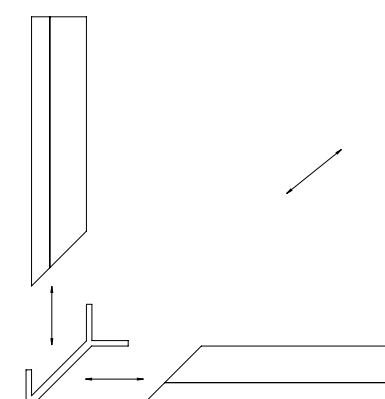
**FIBRE-REINFORCED
CONCRETE (15MM)**

PANBETON® CORNER CUTTING

OUTER CORNER

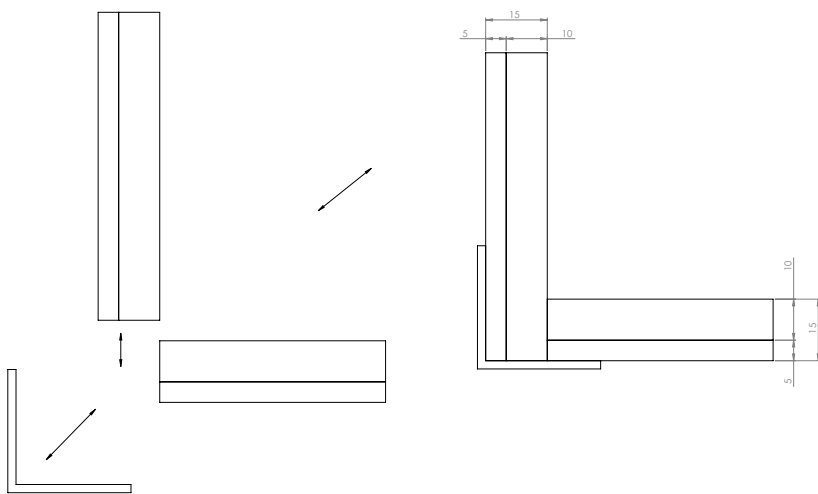


IRON CORNER

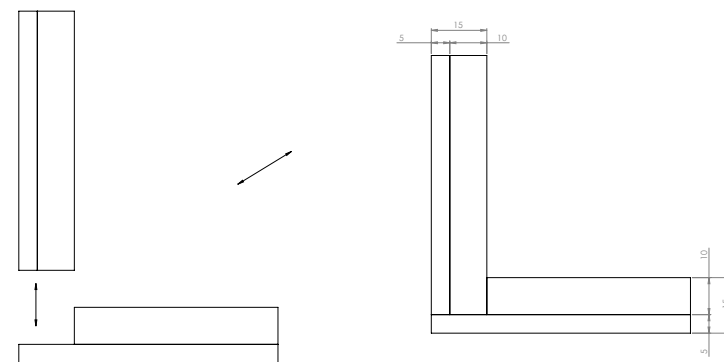


PANBETON® CORNER CUTTING

TOP CORNER IRON



BOARD TO BOARD JOIN



PANBETON® INSTALLATION TOOLS



SAFETY HEADPHONES
& PROTECTIVE GLOVES



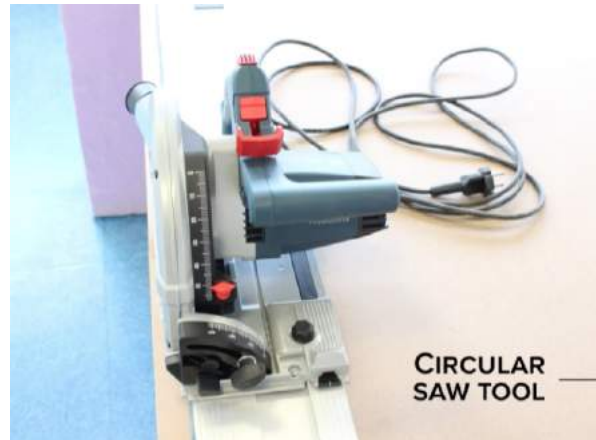
MALLET & HAND BRUSH



LEVEL, GUIDE & CARPENTER RULE



DIAMOND BLADE WITH A FINE GRIT
& REDUCER RING



CIRCULAR
SAW TOOL

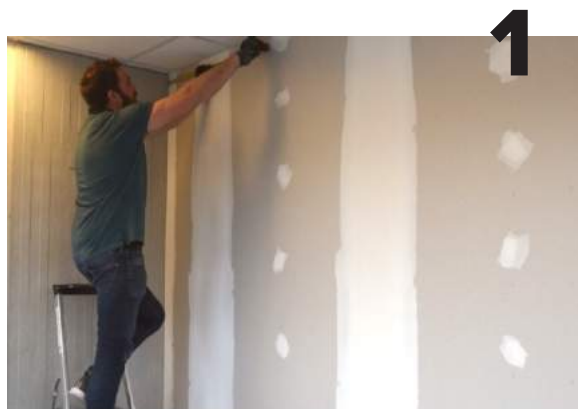


GLUE GUN
& GLUE CARTRIDGE
HYBRIFIX-550
DEN BRAVEN SEALANTS



HYBRIFIX-550
DEN BRAVEN SEALANTS

PANBETON® INSTALLATION STEPS



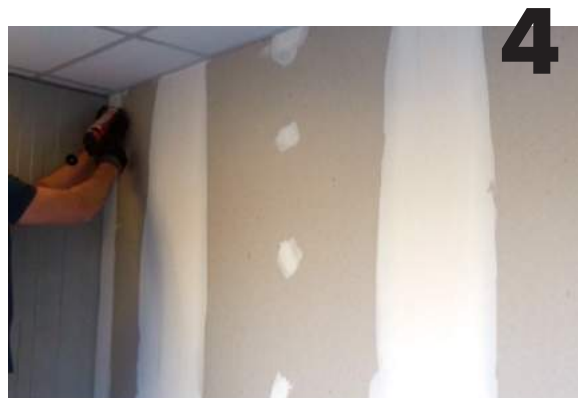
TAKE WALL MEASUREMENTS BEFORE CUTTING THE PANEL



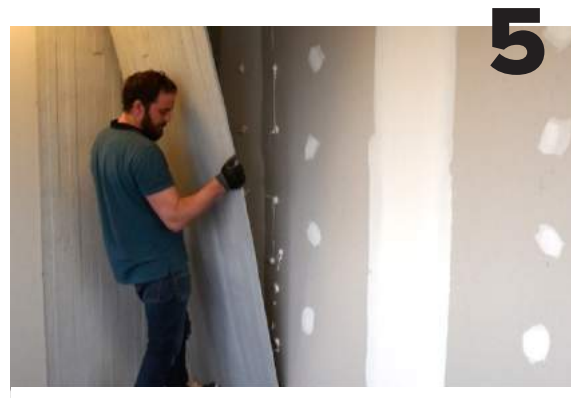
COPY YOUR MEASUREMENTS ON THE PANBETON®



START CUTTING WITH A PLUNGE-CUT SAW



APPLY GLUE ON THE WALL



INSTALL THE PANBTON® BY STARTING FROM BOTTOM TO TOP



DO NOT FORGET TO DUST PANELS AFTER FINAL INSTALLATION

CHECK THE ENTIRE VIDEO HERE: [HTTPS://WWW.YOUTUBE.COM/WATCH?V=U-IZ5ocQW-W](https://www.youtube.com/watch?v=U-IZ5ocQW-W)

CONCRETE·LCDA

CONTACT

WWW.CONCRETE-BETON.COM

CONTACT@CONCRETE-BETON.COM