

---

# CONCRETE LCDA

*Innovative solutions in concrete for interior design*

**CLEAN HANDS**



**Do not forget this is  
a finished product**

---

## *Book of installation for* PANBETON®

*1. 5 key guidelines to succeed your installation*

*2. Installation steps*

- a. Panel handling*
- b. Required tools*
- c. Cutting and gluing*
- d. Managing corners and edges*
- e. Positioning*
- f. End of installation*
- g. Maintaining concrete*
- h. Video of installation*
- i. Types of corners*
- j. Examples with photos*

## *1. 5 key guidelines to succeed your installation*

- 1. You must clean your hands before starting or wear clean gloves*
- 2. Please note you must carry the panels vertically*
- 3. Only use recommended glue : Hybrifix 550 - Den Braven Sealants*
- 4. Cut and screw using diamond tools*
- 5. Do not forget to dust panels after installation*

---

# CONCRETE LCDA

*Innovative solutions in concrete for interior design*

CLEAN HANDS



Do not forget this is  
a finished product

---

## *Book of installation for* PANBETON®

*1. 5 key guidelines to succeed your installation*

*2. Installation steps*

- a. Panel handling*
- b. Required tools*
- c. Cutting and gluing*
- d. Managing corners and edges*
- e. Positioning*
- f. End of installation*
- g. Maintaining concrete*
- h. Video of installation*
- i. Types of corners*
- j. Examples with photos*

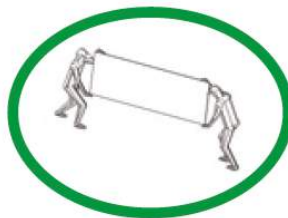
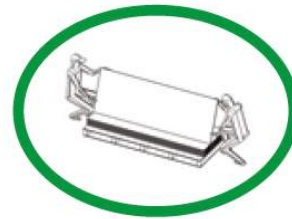
## a. Panel handling

- Panels arrive in wooden boxes. Size of the box being 2750x550x1250mm (LxWxH)
- Panbeton® are stored vertically in the box and packed by group of 2 panels
- Quality control is done at the factory and the box remains closed until the delivery

**YOU MUST CARRY THE PANELS VERTICALLY**

**BE CAREFUL NOT TO BEND THE PANELS**

**PLEASE NOTE THE CORNERS ARE FRAGILE**



*For panels under 2700 mm long (standard size is 2500 mm): 2 persons are needed to handle one panel*

*For panels over 2700 mm long: a 3rd person is needed to support the middle of the panel*

**CLEAN HANDS**



**Do not forget this is  
a finished product**

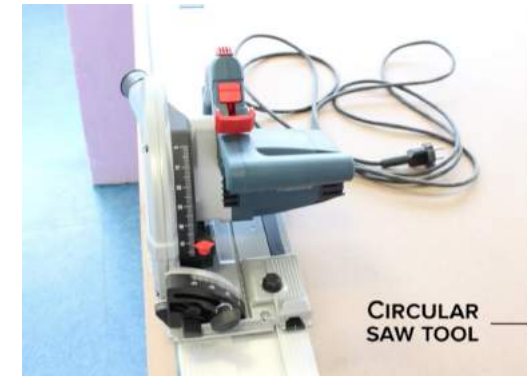
## *b. Required Tools*



**MALLET & HAND BRUSH**



**LEVEL, GUIDE & CARPENTER RULE**



**CIRCULAR  
SAW TOOL**



**DIAMOND BLADE WITH A FINE GRIT  
& REDUCER RING**



**SAFETY HEADPHONES  
& PROTECTIVE GLOVES**



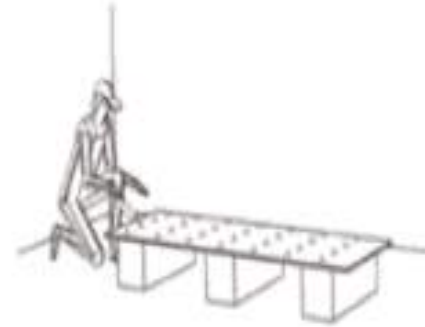
**GLUE GUN  
& GLUE CARTRIDGE**  
HYBRIFIX-550  
DEN BRAVEN SEALANTS



**HYBRIFIX-550  
DEN BRAVEN SEALANTS**

## c. Cutting & Gluing

- Use of diamond disk is mandatory to cut the panel (do not use wooden disk)
- Cutting table is recommended if you want a clean and sharp cutting
- Glue can be applied on the panel or directly onto the wall
- Put dabs of glue every 35 cm
- Be sure not to have any dust on the wall before applying the glue



**WARNING, USE DIAMOND DISK ONLY !**

**ONLY USE HYBRIFIX 550 DEN BRAVEN GLUE**



*Refer to the manufacturer technical details for use of the glue: 1.5 to 2 cartridges per Standard Panbeton®  
Please contact us for instructions when using on other surface than plaster panels*

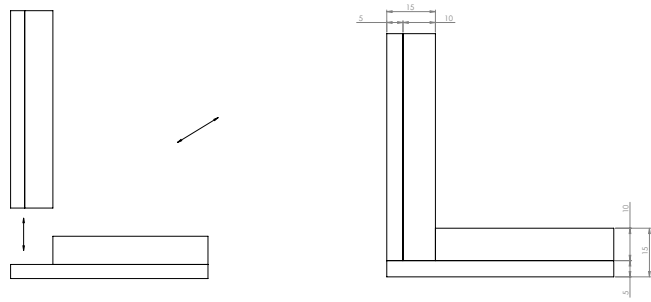
**CLEAN HANDS**



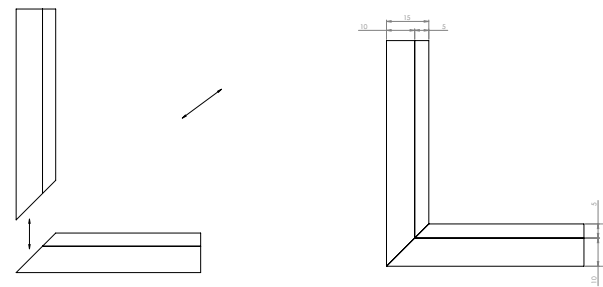
**Do not forget this is  
a finished product**

# d. Managing corners & edges

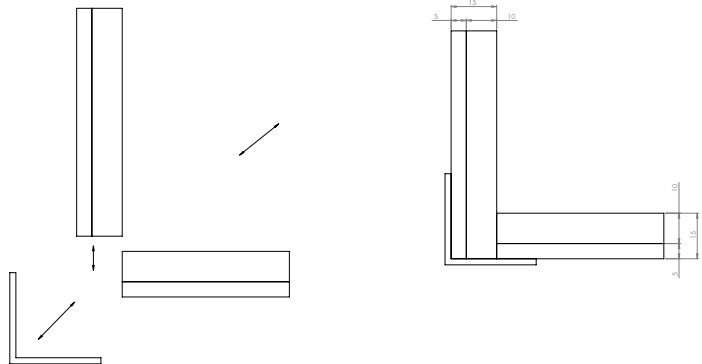
a. Edge to edge by cutting 2cm off the foam



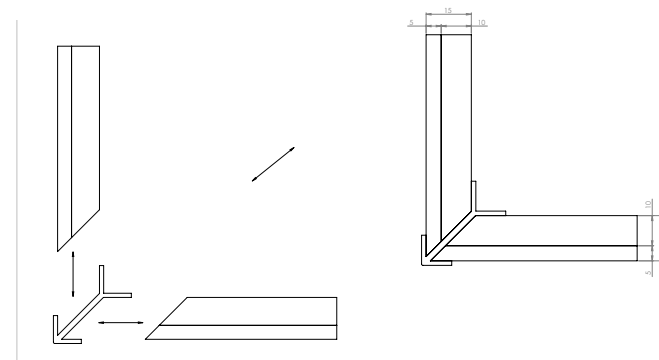
c. Panel edges cut at 45 degrees (mitre cut)  
(can be done in our factory)



c. Add a corner piece on angle



d. Panel edges cut at 45 degrees (can be done in our factory)  
+ metallic frame in between



CLEAN HANDS



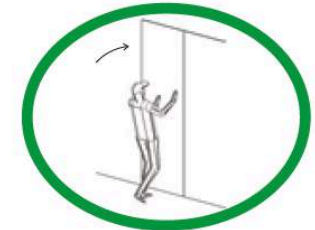
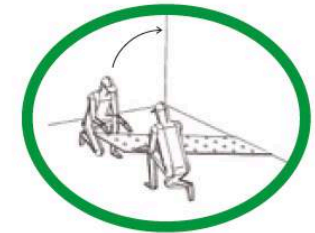
Do no forget this is  
a finished product

## e. Positioning

- Adjust the panel by successively pressing onto it to compress the dabs of glue
- Use a ruler to check panel's alignment
- Some Panbeton® panels may be slightly bent, it will be corrected once installed

**BE CAREFUL NO TO BEND THE PANELS**

**PLEASE NOTE THE CORNERS ARE FRAGILE**



*A grouting joint is not necessary between two panels*

*For ceilings, you can add screws and hide the screw head with the powder provided in the repair kit*

*To set the panel back upright, you can use a foam block to make the panel spins on it to take care of edges*

**CLEAN HANDS**



**Do not forget this is  
a finished product**



## *f. End of installation*



*Drying time = a minimum of 12 hours*



**YOU NEED TO PROTECT THE PANBETON AFTER INSTALLATION**

**DO NOT USE TAPE ON PANELS**

**FOR WET AREAS, ENSURE PANELS HAVE BEEN PROPERLY SEALED (D OR S)**

*If you need to apply a protective treatment (D treatment):*

***MATERIAL:***

- D treatment: ProtectGuard WF
- Abrasive tape (provided)
- HVLP Paint Gun not contaminated previously with products containing solvents.

***STEP BY STEP:***

Carefully use the abrasive tape provided on the panel to remove all the dust  
Product is ready to use, do not dilute.

Apply evenly the liquid on the panel with an HVLP (Diameter: 1,4mm / Pressure: 1,8 bar)

Do not hesitate to repeat application if necessary



**24 hours**

**CLEAN HANDS**



Do not forget this is  
a finished product

# *g. Maintaining concrete*

*The purpose of these instructions is to answer your questions about using and maintaining the Concrete LCDA elements in Beton Lege® (kitchen worktop, bathroom, wash basin, bathroom vanity unit, tables, etc.), Panbeton® & Slimbeton® wall panels and Dalbeton® for flooring.*

## **MAINTAINING BETON LEGE®**

### ***Routine maintenance***

Even though liquids do not penetrate tops in Beton Lege®, it is preferable to dry off splashed liquids immediately. Do not to let any traces of liquid to dry on your furniture as they would be more difficult to remove. Simply use a damp cloth or a sponge and liquid soap. Always clean using a circular motion. In the case of stubborn stains: use a cloth and 50% diluted bleach. Continue cleaning with a circular motion until the stain has disappeared. Then rinse with clean water.

### ***Routine precautions***

- Although Beton Lege® is scratch-resistant, it should not be used for cutting; systematically use a cutting board.
- Although Beton Lege® is heat-resistant, an insulating pad or a trivet should be used rather than placing a very hot dish on it.
- Beton Lege® is very shock-resistant but may be damaged by a sharp blow or a blunt object falling on it. The edges are the most fragile parts.
- If a chemical product is accidentally spilled (in particular perfumes and solvents) they must be rinsed off immediately with a large quantity of soapy water. There is a risk that undetected or prolonged exposure to chemical products will damage the surface.

### ***Recommended cleaning products***

Clean water, soapy water, neutral pH detergent (from 5 to 8) rinsed off with water and dried, 50% diluted bleach, rinsed off with water and dried. For daily use, we recommend: Brillance Cuisine from the Etamine du Lys brand.

### ***Products not to be used***

Abrasives (liquid detergents, scouring powder), alkaline detergents (pH > 9), products with a pH < 5, sulphuric, acetic, nitric, hydrochloric, oxalic acids, soda, potassium, potash, ammonia, hydrocarbons and solvents, removers, etc.

## **MAINTAINING PANBETON® & SLIMBETON® WALL PANELS**

In the natural finish, the Panbeton® & Slimbeton® panels are not sealed. Consequently, liquid products should not be used to clean them, dusting with a microfibre cloth is sufficient.

For Panbeton® & Slimbeton® panels with a protective sealer, use a neutral cleaning product such as black soap and water. Avoid cleaning with very high-pressure or powerful jet machine.

## **MAINTAINING FLOOR DALBETON®**

For daily cleaning, use a neutral cleaner such as black soap and water.

In the case of a stubborn stain, use 50% diluted bleach and rinse with clean water.

Avoid cleaning with very high-pressure or powerful jet machine or mechanical sweeping brush.

What cleaning product should be used to guarantee the best protection? Twice a month, and after cleaning, wax (Polish Guard by Guard Industrie) may be applied again to keep the slabs' appearance by creating an additional coating layer. Use 1 volume of wax to 8 volumes of water.

## *h. Video of installation*



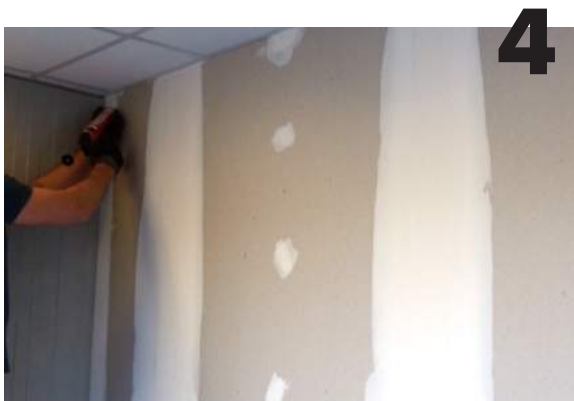
— TAKE WALL MEASUREMENTS BEFORE CUTTING THE PANEL



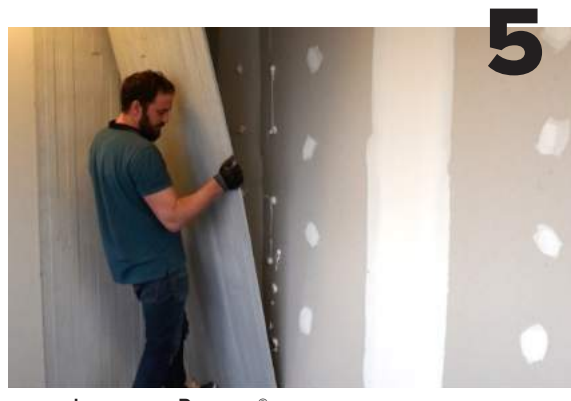
— COPY YOUR MEASUREMENTS ON THE PANBETON®



— START CUTTING WITH A PLUNGE-CUT SAW



— APPLY GLUE ON THE WALL



— INSTALL THE PANBTON® BY STARTING FROM BOTTOM TO TOP

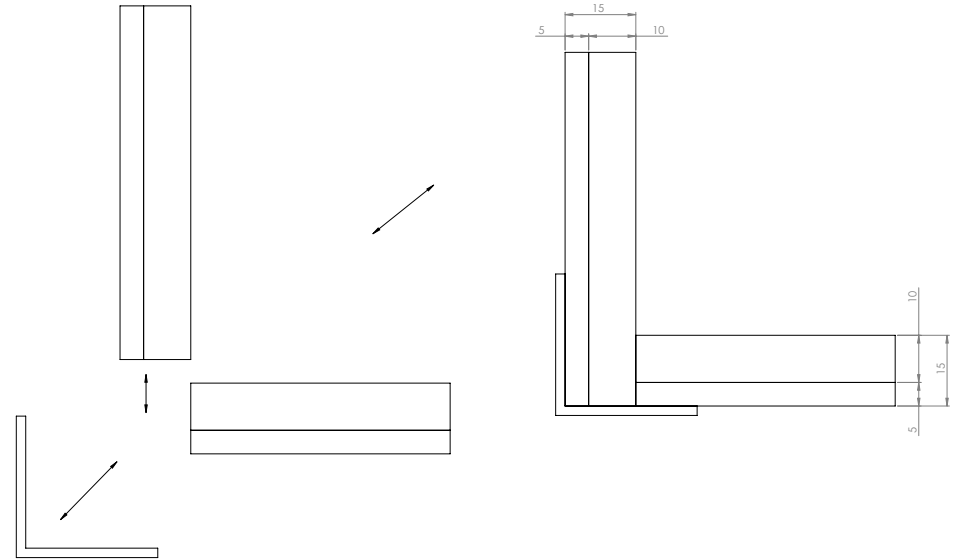


**DO NOT FORGET TO DUST PANELS AFTER FINAL INSTALLATION**

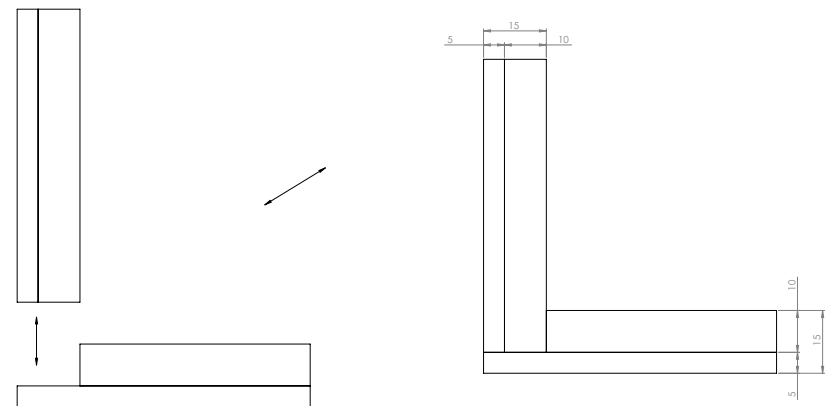
Check the entire video online, at: <https://www.youtube.com/watch?v=U-iZ5ocQw-w>

# i. Types of corners

*Top corner Iron*

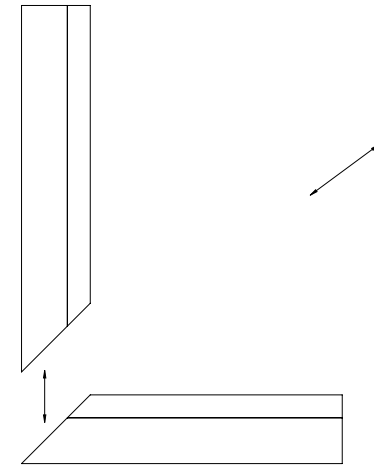
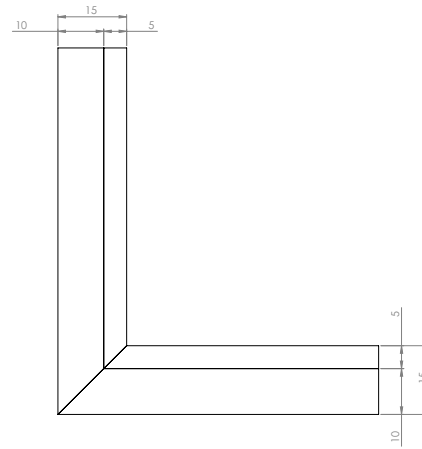


*Board to Board join*

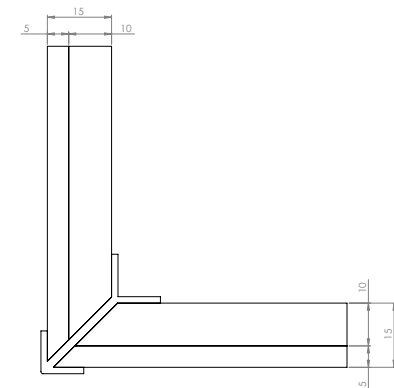
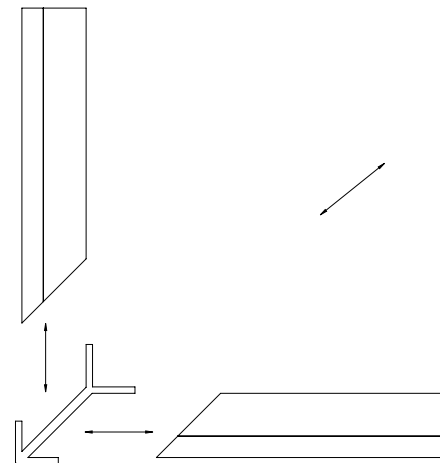


# *i. Types of corners*

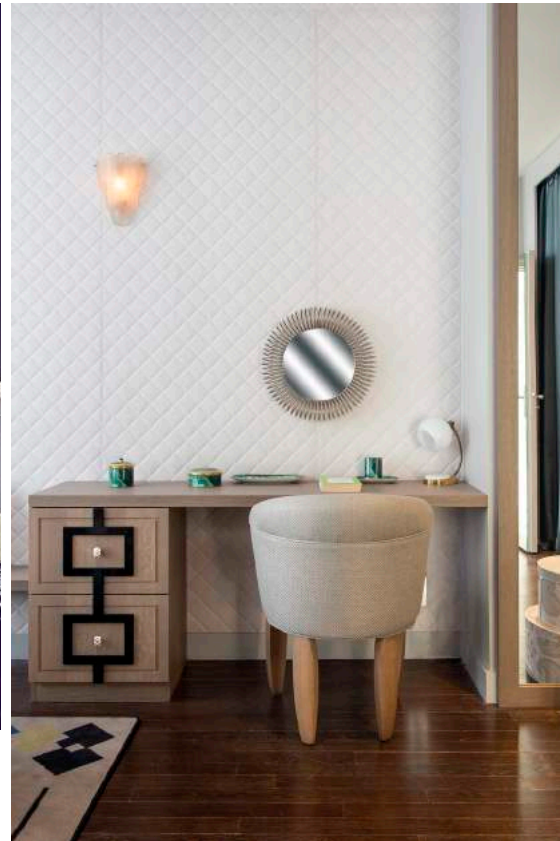
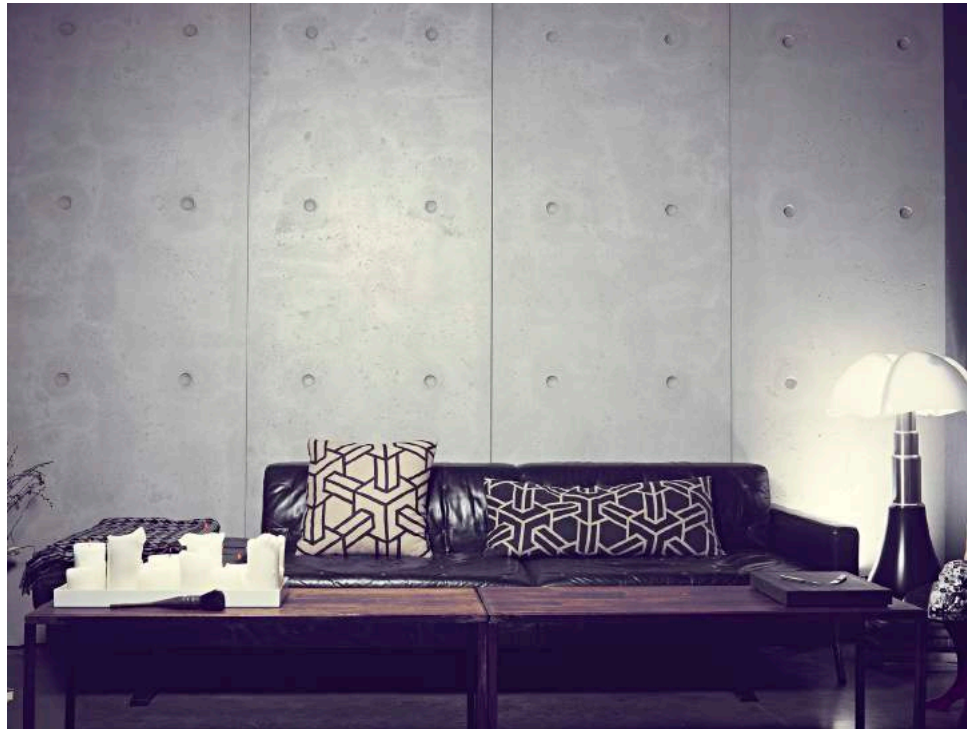
*Outer corner*



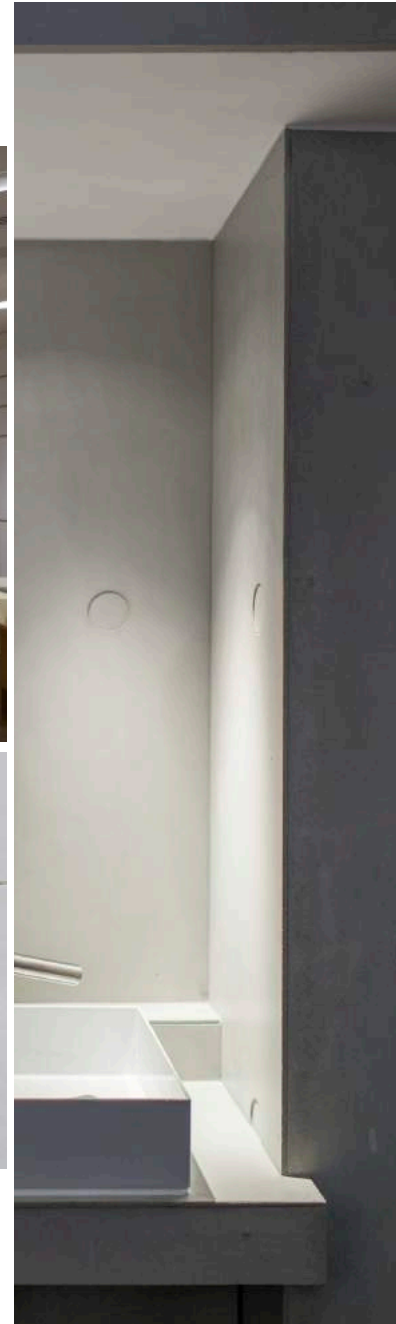
*Iron corner*



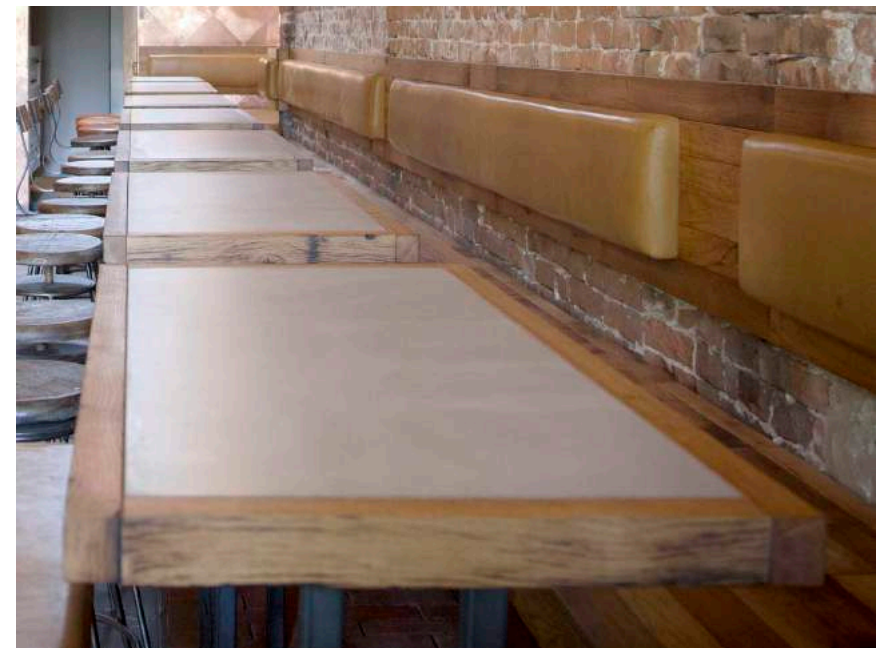
*j. Example with photos*



*j. Example with photos*



*j. Example with photos*





*j. Example with photos*



# CONCRETE LCDA

*Innovative solutions in concrete for interior design*

---

*[www.concrete-beton.com](http://www.concrete-beton.com)*

